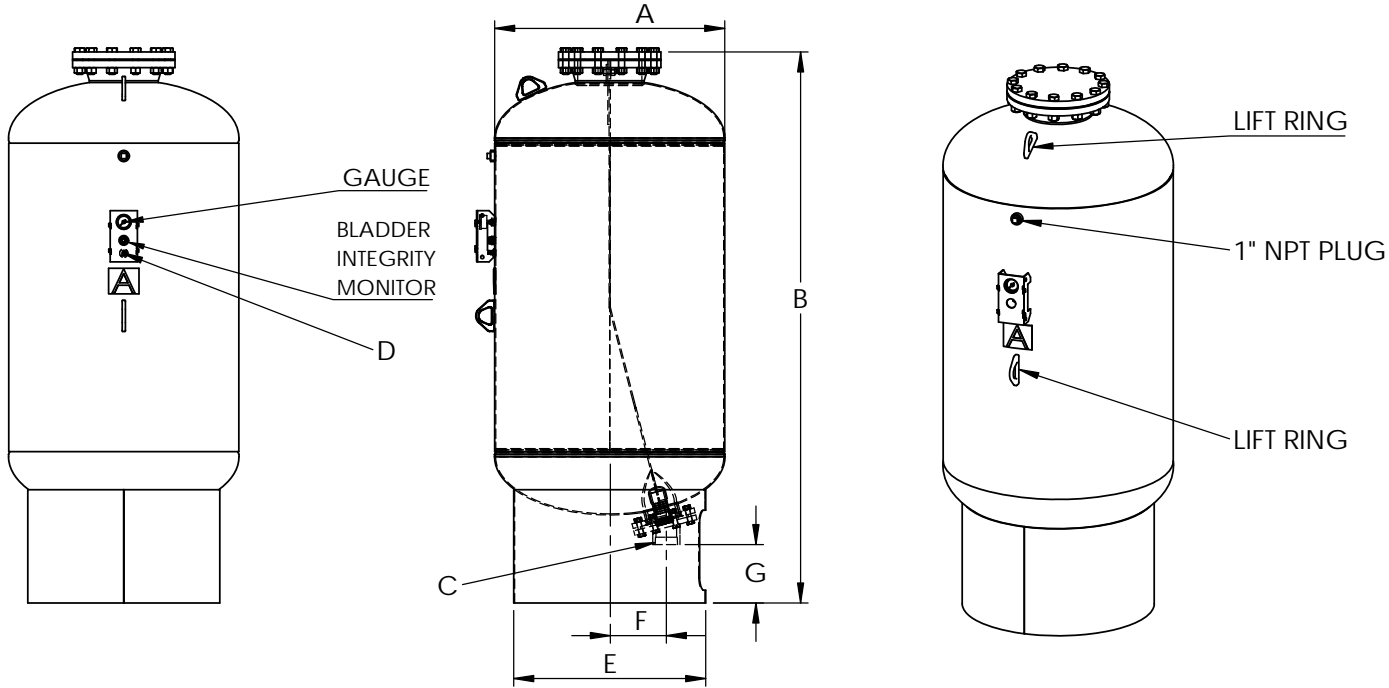


SUBMITTAL

TXA-SERIES

DOMESTIC HOT WATER EXPANSION TANKS

Models: TXA-1000 to TXA-15000
 Submittal Sheet No. B-1004B Rev. 1 5/17/2018



Dimensions & Weights:

TXA-1000 TO TXA-15000

Model Number	Dimensions in Inches							Approx. Shipping Weight (lbs)
	A	B	System Connection C	Charging Valve D	E	F	G	
TXA-1000	36	87	3	0.302- 32NC	30	8	9 1/8	735
TXA-1200		98 1/2					745	
TXA-1400		110 1/2					8 7/8	900
TXA-1600	48	84	4	0.302- 32NC	42	9	9 1/8	1210
TXA-2000		96					1305	
TXA-2500		110					8 7/8	1430
TXA-3000L		133					9	1575
TXA-3000S	60	93	4	0.302- 32NC	54	10	9 3/4	2169
TXA-4000		115					9 7/16	2638
TXA-5000		138					9 7/8	3246
TXA-7500	72	140	4	0.302- 32NC	60	11	8	4080
TXA-1000		172					4920	
TXA-15000		243					6000	

Notes:

- Tanks are factory pre-charged at 40 psig and field adjustable.
- California code-sight glass is available upon request.
- Tanks installed horizontally must have the system connection below the horizontal centerline of the tank.
- Mounting clips are available upon request.
- U.S. Patent No. 8,633,825 B2.

32167	J	\$1'2/3+	0\$	J	J	J Z	FR
-------	---	----------	-----	---	---	-----	----