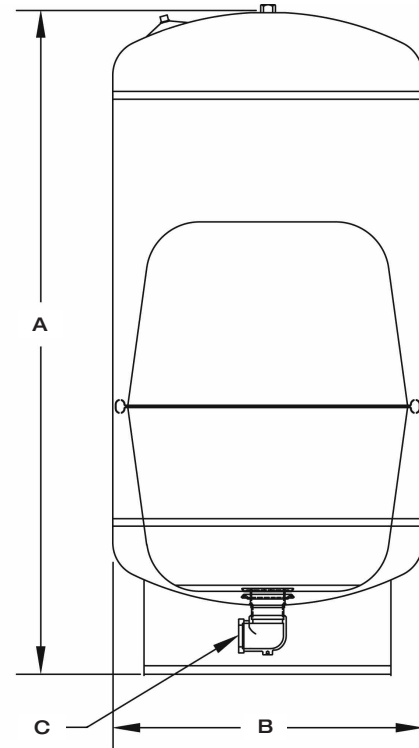




MATERIALS OF CONSTRUCTION

- **Tank:** 16 gauge cold rolled steel
- **Finish:** Appliance quality paint for indoor or outdoor installation
- **Water chambers:** Top chamber is 100% butyl rubber, lower water chamber is copolymer polypropylene
- **Connection:** Stainless Steel
- **Testing:** High pressure, seam weld, helium, final precharge check
- **Air valve:** Brass valve with o-ring seal
- **Warranty:** Five year



DIMENSIONS & CAPACITIES

Model	Total Tank Volume		A Height		B Diameter		C Connection	Total Weight	
	gal	liters	in	cm	in	cm		lbs	kilos
WR 45	14	60	22	55.88	16	40.64	1" NPT	28.0	12.7
WR 60	20	80	29	73.66	16	40.64	1" NPT	36.0	16.3
WR 80	26	100	34.5	87.63	16	40.64	1" NPT	41.0	18.6
WR 100	32	120	27.75	70.48	21	53.34	1 1/4" NPT	54.0	24.5
WR 120	33.4	130	42.75	108.58	16	40.64	1 NPT	49.0	22.2
WR 140	44	170	36.25	92.07	21	53.34	1 1/4" NPT	67.0	30.4
WR 200	62	240	48	121.92	21	53.34	1 1/4" NPT	82.0	37.2
WR 240	81	310	62	157.48	21	53.34	1 1/4" NPT	99.0	44.9
WR 260	85	325	44.5	113.03	26	66.04	1 1/4" NPT	121.0	54.9
WR 360	119	450	59.75	150.49	26	66.04	1 1/4" NPT	153.0	69.5

Maximum working pressure 125 psig. Maximum working temperature, internal & external 140° F. Tank pre-charge 38 psig.

QUICK SIZING CHART

Model	Total Tank Volume		Total Drawdown*					
	gal	liters	20/40		30/50		40/60	
	gal	liters	gal	liters	gal	liters	gal	liters
WR 45	14	60	5.6	21.4	4.8	18.1	4.1	15.6
WR 60	20	80	8.1	30.5	6.8	25.8	5.9	22.3
WR 80	26	100	10.5	39.7	8.9	33.6	7.7	29.0
WR 100	32	120	12.9	48.8	10.9	41.3	9.4	35.7
WR 120	33.4	130	13.3	50.3	11.3	42.6	9.7	36.8
WR 140	44	170	17.7	67.1	15.0	56.8	13.0	49.1
WR 200	62	240	25.0	94.6	21.1	80.0	18.3	69.2
WR 240	81	310	32.6	123.6	27.6	104.5	23.9	90.4
WR 260	85	325	34.3	129.7	29.0	109.7	25.1	94.9
WR 360	119	450	48.0	181.5	40.6	153.6	35.1	132.9

*Total drawdown assumes tank pre-charge set at 2 psi below cut-in pressure. Drawdown can be affected by many factors, including temperature, pressure, and elevation.

> www.flexconind.com
 > 781-986-2424
 > 300 Pond Street
 > Randolph, MA 02368

