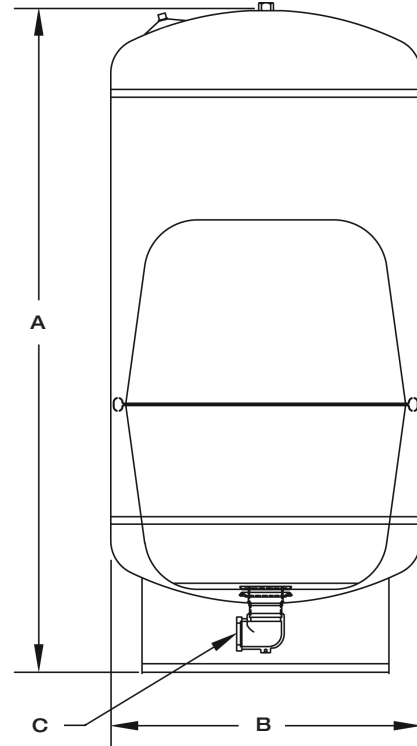




PC/APC/CAD-2

MATERIALS OF CONSTRUCTION

- **Tank:** 16 gauge cold rolled steel
- **Finish:** Appliance quality paint for indoor or outdoor installation
- **Water chambers:** Top chamber is 100% butyl rubber, lower water chamber is copolymer polypropylene
- **Connection:** Welded steel NPT thread
- **Testing:** High pressure, seam weld, helium, final precharge check
- **Air valve:** Brass valve with o-ring seal
- **Warranty:** Five year



DIMENSIONS & CAPACITIES

Model [PC-TRADITIONAL BLUE] [APC-ALMOND]	Total Tank Volume		A Height		B Diameter		C Connection	Total Weight	
	gal	liters	in	cm	in	cm		lbs	kilos
PC/APC 44	14	60	22	55.88	16	40.64	1" NPT	28.0	12.7
PC/APC 66	20	80	29	73.66	16	40.64	1" NPT	36.0	16.3
PC/APC 88	26	100	34.5	87.63	16	40.64	1" NPT	41.0	18.6
PC/APC 111	32	120	27.75	70.48	21	53.34	1 1/4" NPT	54.0	24.5
PC/APC 122	33.4	130	42.75	108.58	16	40.64	1 NPT	49.0	22.2
PC/APC 144	44	170	36.25	92.07	21	53.34	1 1/4" NPT	67.0	30.4
PC/APC 211	62	240	48	121.92	21	53.34	1 1/4" NPT	82.0	37.2
PC/APC 244	81	310	62	157.48	21	53.34	1 1/4" NPT	99.0	44.9
PC/APC 266	85	325	44.5	113.03	26	66.04	1 1/4" NPT	121.0	54.9
PC/APC 366	119	450	59.75	150.49	26	66.04	1 1/4" NPT	153.0	69.5

Maximum working pressure 125 psig. Maximum working temperature, internal & external 140° F. Tank pre-charge 38 psig.

QUICK SIZING CHART

Model [PC-TRADITIONAL BLUE] [APC-ALMOND]	Total Tank Volume		Total Drawdown*					
	gal	liters	20/40		30/50		40/60	
	gal	liters	gal	liters	gal	liters	gal	liters
PC/APC 44	14	60	5.6	21.4	4.8	18.1	4.1	15.6
PC/APC 66	20	80	8.1	30.5	6.8	25.8	5.9	22.3
PC/APC 88	26	100	10.5	39.7	8.9	33.6	7.7	29.0
PC/APC 111	32	120	12.9	48.8	10.9	41.3	9.4	35.7
PC/APC 122	33.4	130	13.3	50.3	11.3	42.6	9.7	36.8
PC/APC 144	44	170	17.7	67.1	15.0	56.8	13.0	49.1
PC/APC 211	62	240	25.0	94.6	21.1	80.0	18.3	69.2
PC/APC 244	81	310	32.6	123.6	27.6	104.5	23.9	90.4
PC/APC 266	85	325	34.3	129.7	29.0	109.7	25.1	94.9
PC/APC 366	119	450	48.0	181.5	40.6	153.6	35.1	132.9

*Total drawdown assumes tank pre-charge set at 2 psi below cut-in pressure. Drawdown can be affected by many factors, including temperature, pressure, and elevation.

> www.flexconind.com
 > 781-986-2424
 > 300 Pond Street
 > Randolph, MA 02368

