



SUBMITTAL

SXHT-C SERIES
HYDRONIC EXPANSION TANKS

Models: SXHT 15-C thru SXHT 280-C

Date: 4/20

Job Name _____	Submitted By _____	Date _____
Location _____	Approved By _____	Date _____
_____	Order No. _____	Date _____
Engineer _____	Notes _____	
Contractor _____	_____	
Sales Rep. _____	_____	

Description

Flexcon SXHT-C series are ASME fixed diaphragm type pre-charged expansion tanks. They are designed to absorb the expansion forces and control the pressure in heating/cooling systems. The system's expanded water (fully compatible with water/glycol mixtures) is contained in a heavy-duty diaphragm that prevents tank corrosion and waterlogging problems. All SXHT-C expansion tanks can be installed vertically or horizontally.

Construction

Shell: Carbon Steel
Heads: Carbon Steel
Exterior: Red Oxide Primer
Interior: Heavy-duty Butyl

Performance Limitations Maximum Design

Temperature: 240°F / 116 C
Maximum Design Pressure: 125 PSIG* / 862 kpa
SXHT 15-C thru SXHT 60-C: 150 PSIG* / 1034kpa
SXHT 80-C thru SXHT 280-C: 125 PSIG* / 862 kpa

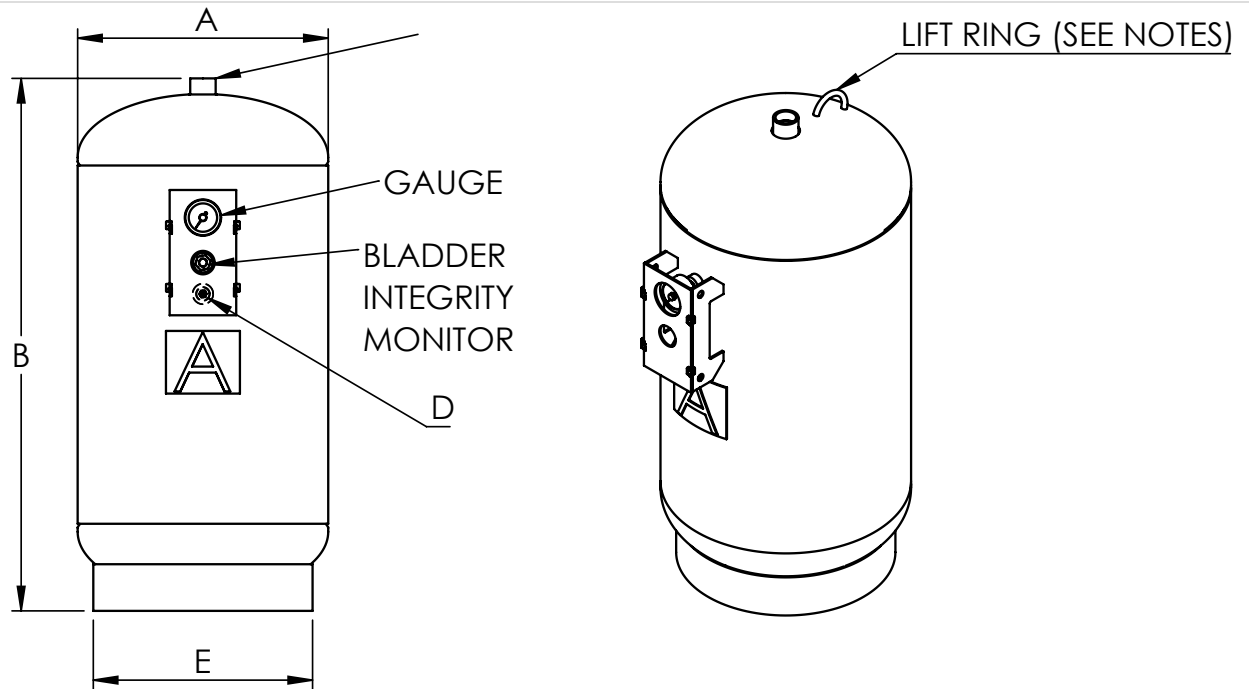
Pressures Available: 200PSI 250PSI

Model Number	Wessels Model	Part Number	Tank Volume (Gal/L)	Acceptance Volume (Gal/L)	Tagging Information	Quantity
SXHT 15-C	NTA-15	29010015	7.8/30	6.3/24		
SXHT 20-C	NTA-20	29010020	11/41	8.8/33		
SXHT 40-C	NTA-40	29010040	25/95	20.2/77		
SXHT 60-C	NTA-60	29010060	35/133	28/106		
SXHT 80-C	NTA-80	29010080	45/170	36/136		
SXHT 100-C	NTA-100	29010100	60/227	48.5/184		
SXHT 120-C	NTA-120	29010120	70/265	56.5/214		
SXHT 144-C	NTA-144	29010144	80/303	65/246		
SXHT 180-C	NTA-180	29010180	90/341	73/276		
SXHT 200-C	NTA-200	29010200	115/435	93/352		
SXHT 240-C	NTA-240	29010240	140/530	113.5/430		
SXHT 260-C	NTA-260	29010260	158/598	128/485		
SXHT 280-C	NTA-280	29010280	211/799	171/647		

Typical Specification

Furnish and install, as shown on plans, a _____ gallon _____" diameter X _____" (high) pre-charged steel expansion tank with a fixed heavy-duty butyl diaphragm. The tank shall be equipped with a diaphragm integrity indicator (WessView), NPT system connection, and a 0.302"-32 charging valve connection (standard tire valve) to facilitate the on-site charging of the tank to meet system requirements. The tank must be constructed in accordance with most recent addendum of Section VIII Division 1 of the ASME Boiler and Pressure Vessel Code.

Each tank shall be Flexcon model number SXHT _____-C or approved equal.



SXHT 15-C thru SXHT 280-C

Dimensions & Weights

Model Number	Wessels Model	A (in/mm)	B (in/mm)	System Conn. C (in/mm)	Charging Valve D	E (in/mm)	Approx. Ship Wt. (lbs/kgs)
SXHT 15-C	NTA-15	12/305	19/483	3/4 / 19	.302"-32NC	-	42/16
SXHT 20-C	NTA-20	12/305	25/635	3/4 / 19	.302"-32NC	-	52/20
SXHT 40-C	NTA-40	16/406	33/838	1 / 25	.302"-32NC	14/356	84/32
SXHT 60-C	NTA-60	16/406	44/1118	1 / 25	.302"-32NC	14/356	97/37
SXHT 80-C	NTA-80	20/508	38/965	1 / 25	.302"-32NC	18/457	148/56
SXHT 100-C	NTA-100	20/508	49/1245	1 / 25	.302"-32NC	18/457	175/66
SXHT 120-C	NTA-120	24/610	46/1168	1 1/2 / 38	.302"-32NC	22/559	259/98
SXHT 144-C	NTA-144	24/610	49/1245	1 1/2 / 38	.302"-32NC	22/559	268/102
SXHT 180-C	NTA-180	24/610	52/1321	1 1/2 / 38	.302"-32NC	22/559	283/107
SXHT 200-C	NTA-200	24/610	66/1676	1 1/2 / 38	.302"-32NC	22/559	325/123
SXHT 240-C	NTA-240	24/610	78/1981	1 1/2 / 38	.302"-32NC	22/559	362/164
SXHT 260-C	NTA-260	30/762	63/1600	1 1/2 / 38	.302"-32NC	24/610	591/268
SXHT 280-C	NTA-280	30/762	81/2051	1 1/2 / 38	.302"-32NC	24/610	752/341

Notes

- Tanks are factory pre-charged at 40 PSIG and field adjustable
- California code-sight glass is available upon request.
- Lift ring on models SXHT 40-C thru SXHT 280-C
- Available with mounting clips.