



# High quality, competitively priced, available in two colors.

Engineered with contractors' needs in mind, Challenger well tanks deliver CAD-2 technology (Flexcon's famous controlled action diaphragm system) at a very affordable price. In short, superior air and water separation with unmatched performance.

Now available in your choice of colors!



16 - gauge solid steel tank, finished with highest quality almond or blue urethane paint to stand up to the toughest conditions.

Water chamber is independent of tank walls, allowing diaphragms to be sized properly for each tank.

## CAD-2

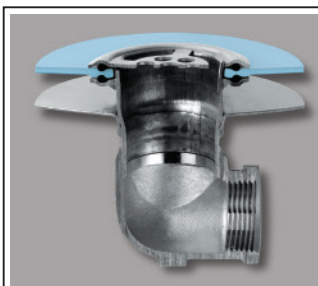
CAD-2 diaphragm technology: strong, 100% butyl diaphragm and copolymer polypropylene lower water chamber for maximum water and air separation.

Steel clench ring regulates movement and prevents diaphragm from rubbing against tank wall.



Every Flexcon CAD-2 tank has a silver-ion-infused antimicrobial liner to help eliminate possible water born health hazards.

Condensation-reducing design virtually eliminates external corrosion.

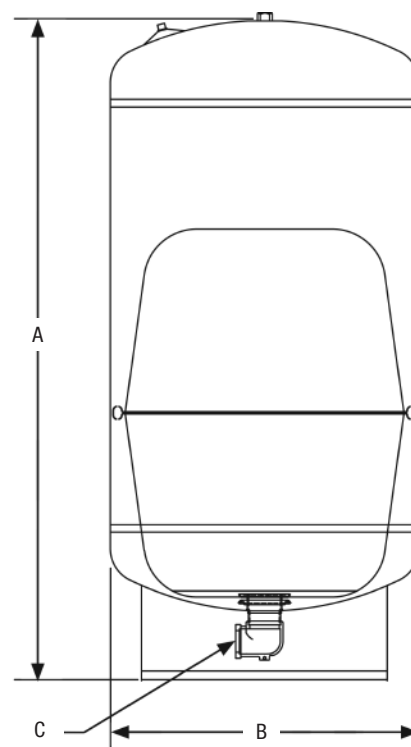


Patented, welded, steel water connection has separate air and water seals.





## PC/APC/CAD-2 Well Tank



### MATERIALS OF CONSTRUCTION

- **Tank:** 16-gauge cold rolled steel
- **Finish:** Appliance quality paint for indoor or outdoor installation
- **Water chambers:** Top chamber is 100% butyl rubber, lower water chamber is anti-microbial, copolymer polypropylene
- **Connection:** Welded steel NPT thread
- **Air valve:** Brass valve with O-ring seal
- **Testing:** High pressure, seam weld, helium, final precharge check
- **Warranty:** 5 year



### DIMENSIONS & CAPACITIES

Model [PC-TRADITIONAL BLUE] [APC-ALMOND]	Total Tank Volume		A Height		B Diameter		C Connection	Total Weight	
	gal	liters	in	cm	in	cm		lbs	kilos
PC/APC 44	14	60	22	55.88	16	40.64	1" NPT	28.0	12.7
PC/APC 66	20	80	29	73.66	16	40.64	1" NPT	36.0	16.3
PC/APC 88	26	100	34.5	87.63	16	40.64	1" NPT	41.0	18.6
PC/APC 111	32	120	27.75	70.48	21	53.34	1 1/4" NPT	54.0	24.5
PC/APC 122	33.4	130	42.75	108.58	16	40.64	1 NPT	49.0	22.2
PC/APC 144	44	170	36.25	92.07	21	53.34	1 1/4" NPT	67.0	30.4
PC/APC 211	62	240	48	121.92	21	53.34	1 1/4" NPT	82.0	37.2
PC/APC 244	81	310	62	157.48	21	53.34	1 1/4" NPT	99.0	44.9
PC/APC 266	85	325	44.5	113.03	26	66.04	1 1/4" NPT	121.0	54.9
PC/APC 366	119	450	59.75	151.76	26	66.04	1 1/4" NPT	153.0	69.5

Maximum working pressure 125 psig. Maximum working temperature, internal & external 140° F. Tank pre-charge 38 psig.

### QUICK SIZING CHART

Model [PC-TRADITIONAL BLUE] [APC-ALMOND]	Total Tank Volume		Total Drawdown*					
	gal	liters	20/40		30/50		40/60	
	gal	liters	gal	liters	gal	liters	gal	liters
PC/APC 44	14	60	5.6	21.4	4.8	18.1	4.1	15.6
PC/APC 66	20	80	8.1	30.5	6.8	25.8	5.9	22.3
PC/APC 88	26	100	10.5	39.7	8.9	33.6	7.7	29.0
PC/APC 111	32	120	12.9	48.8	10.9	41.3	9.4	35.7
PC/APC 122	33.4	130	13.3	50.3	11.3	42.6	9.7	36.8
PC/APC 144	44	170	17.7	67.1	15.0	56.8	13.0	49.1
PC/APC 211	62	240	25.0	94.6	21.1	80.0	18.3	69.2
PC/APC 244	81	310	32.6	123.6	27.6	104.5	23.9	90.4
PC/APC 266	85	325	34.3	129.7	29.0	109.7	25.1	94.9
PC/APC 366	119	450	48.0	181.5	40.6	153.6	35.1	132.9

\*Total drawdown assumes tank pre-charge set at 2 psi below cut-in pressure. Drawdown can be affected by many factors, including temperature, pressure, and elevation.

